

# 1" Straight Union

# KAS®

## TECHNICAL DATA SHEET

<b>Product Name</b>	1" Straight Union
<b>Intended Use</b>	Installation Systems



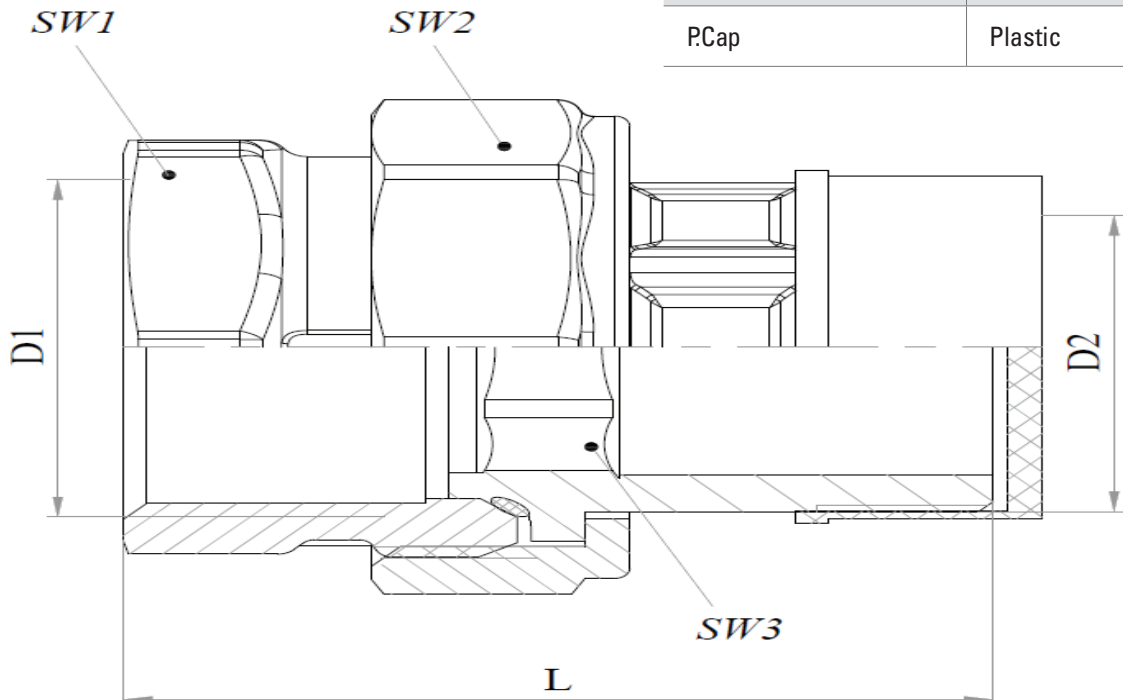
## DIMENSIONS

<b>Product Code</b>	03.01.252
<b>D1</b>	1"
<b>D2</b>	1"
<b>L</b>	60
<b>SW1</b>	39
<b>SW2</b>	46
<b>SW3</b>	22

Dimensions are in "milimeter"

## MATERIALS<sub>v</sub>

Nut	Brass
Nipple	Brass
Tube	Brass
Gasket	NBR
PCap	Plastic





## 1" Straight Union

**KAS**<sup>®</sup>

### **INSTALLATION and OPERATING INSTRUCTION**

- 1-** Do not unpack the union until installation to prevent falling of any unwanted substance that may affect the working of union.
- 2-** Take measures against any possible damage that may occur during transport and shipment.
- 3-** Clean away every unwanted substance in your system before installation.
- 4-** While installing, grab the union by the appropriate tool from the across flats where you'll install it.
- 5-** During installation do not use excessive adhesive or any unsuitable substance.
- 6-** Do not paint the union. Do not expose the union with abrasive chemicals.
- 7-** In case of any damage or disorder , Filter should be changed by authorities.
- 8-** Complying with the installation and usage instruction is compulsory. Otherwise, the product will be out of guarantee.
- 9-** Do not forget to get the document of guarantee. This document is valid only with the related bill.