

Angle Valve Conn. Valve Sealed Type

KAS®



TECHNICAL DATA SHEET

Product Name	Angle Valve Conn. Valve Sealed Type
Standard	TS 579
Working Temperature	Max. 120°C
Pressure Class	Max. 10 Bar
Intended Use	Heating Systems

MATERIAL SPECT

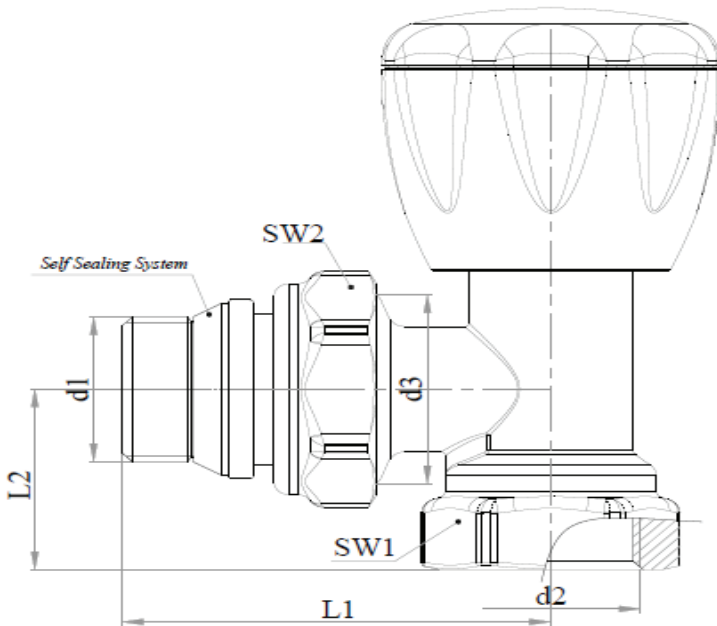
Body	BRASS(CW617N)/(CW614N)
Spindle	BRASS(CW617N)/(CW614N)
Nuts	BRASS(CW617N)/(CW614N)
Tube	BRASS(CW617N)/(CW614N)
Handle	PLASTIC
Seals	NBR/EPDM

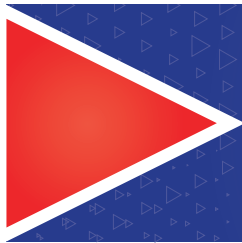
SURFACES FINISH

Body	Nickel-Plated
Nut	Nickel-Plated
Tube	Nickel-Plated

DIMENSIONS

Code	04.08.303-01
DN	15
D1 (thread)	1/2"
D2 (thread)	1/2"
D3 (thread)	3/4"
L1 (max-min)	50,5
L2	25,3
SW1	25
SW2	30





INSTALLATION and OPERATING INSTRUCTION

- 1-** Do not unpack the valve until installation to prevent falling of any unwanted substance that may affect the working of valve.
- 2-** Take measures against any possible damage that may occur during transport and shipment.
- 3-** Clean away every unwanted substance in your system before installation.
- 4-** Valve should be off position while installing.
- 5-** Be careful that the thread length of the part that will be installed to the valve will not be too longer or too shorter than the thread length of the valve.
- 6-** While installing, grab the valve by the appropriate tool from the across flats where you'll install it.
- 7-** During installation do not use excessive adhesive or any unsuitable substance.
- 8-** Use the valve fully open or fully closed position.
- 9-** Do not paint the valve. Do not expose the valve with abrasive chemicals.
- 10-** Do not use any other tools for opening or closing the valve and do not remove the handle.
- 11-** In case of any damage or disorder, valve should be changed by authorities.
- 12-** Complying with the installation and usage instruction is compulsory. Otherwise, the product will be cut of guarantee.
- 13-** Do not forget to get the document of guarantee. This document is valid only with the related bill.