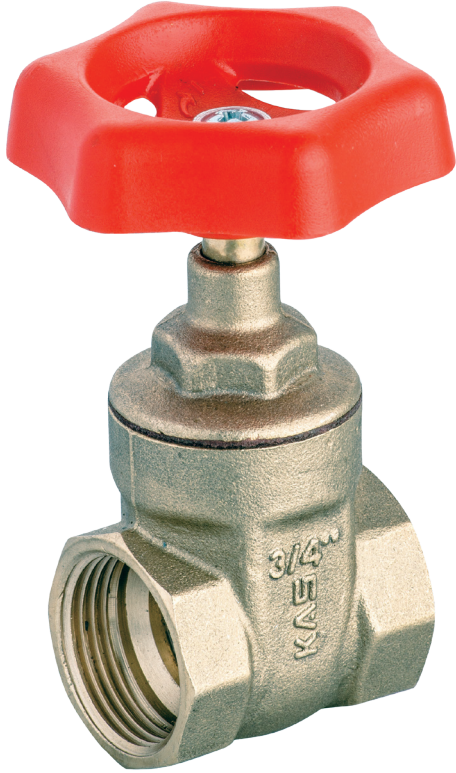


# Gate Valve

# KAS®



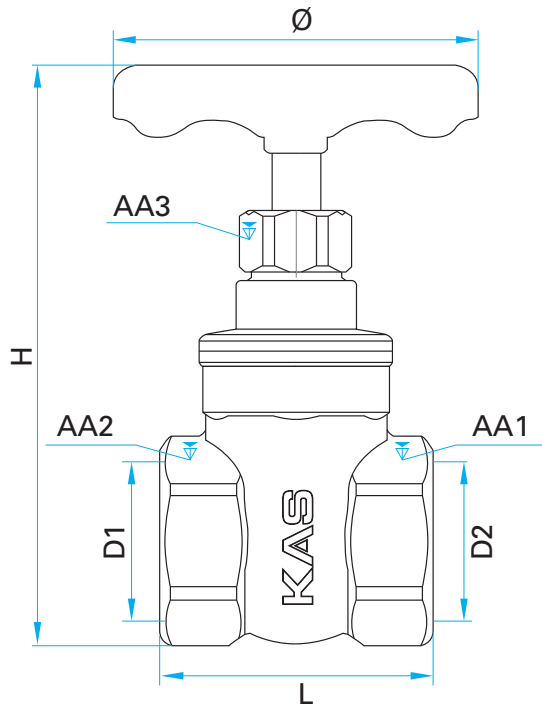
## TECHNICAL DATA SHEET - 11.01.951

<b>Product Name</b>	Gate Valve
<b>Standard</b>	TS EN 12288
<b>Working Temperature</b>	Max. 100 °C
<b>Intended Use</b>	Water Installation
<b>Working Pressure</b>	PN 16

## DIMENSIONS

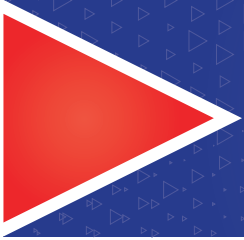
<b>Code</b>	11.01.951
<b>DN</b>	20
<b>D1</b>	3/4"
<b>D2</b>	3/4"
<b>ø</b>	57
<b>AA1</b>	30
<b>AA2</b>	30
<b>AA3</b>	19
<b>L</b>	38
<b>H</b>	92

Dimensions are in "milimeter"



## MATERIALS

<b>Body</b>	Brass(CW617N)/(CW614N)
<b>Cover</b>	Brass(CW617N)/(CW614N)
<b>Gate</b>	Brass(CW617N)/(CW614N)
<b>Spindle</b>	Brass(CW617N)/(CW614N)
<b>Handle</b>	Plastic
<b>Seals</b>	NBR/EPDM



# Gate Valve

# KAS®

## **INSTALLATION and USAGE INSTRUCTION**

- 1-** Do not unpack the valve until installation to prevent falling of any unwanted substance that may affect the working of valve.
- 2-** Take measures against any possible damage that may occur during transport and shipment.
- 3-** Clean away every unwanted substance in your system before installation
- 4-** Valve should be off position while installing.
- 5-** Be careful that the thread length of the part that will be installed to the valve will not be too longer or too shorter than the thread length of the valve.
- 6-** While installing, grab the valve by the appropriate tool from the across flats where you'll install it.
- 7-** During installation do not use excessive adhesive or any unsuitable substance.
- 8-** Do not paint the valve. Do not expose the valve with abrasive chemicals.
- 9-** Do not use any other tools for opening or closing the valve and do not remove the handle.
- 10-** In case of any damage or disorder, valve should be changed by authorities.
- 11-** Complying with the installation and usage instruction is compulsory. Otherwise, the product will be out of guarantee.
- 12-** Do not forget to get the document of guarantee. This document is valid only with the related bill.