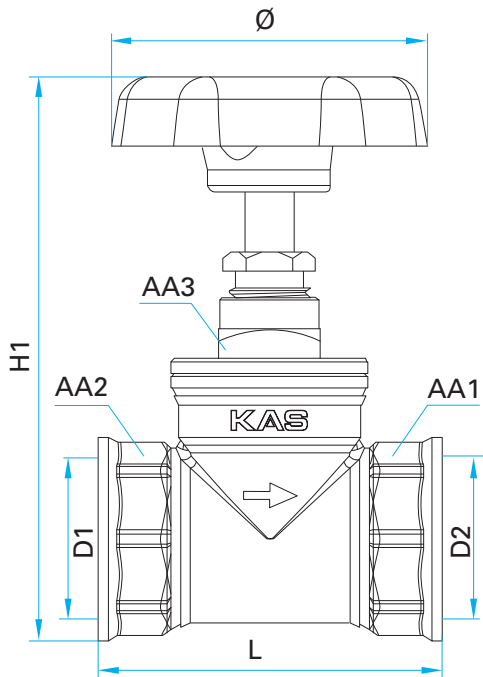
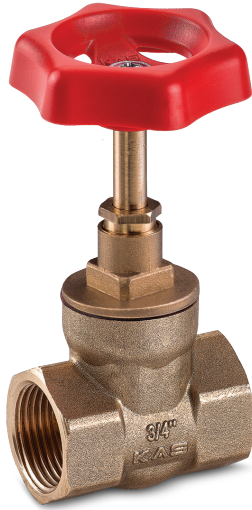


Stop Valve

KAS®



TECHNICAL DATA SHEET - 11.02.851

Product Name	Stop Valve
Standard	TS 15 EN 1213
Working Temperature	65°C (95°C max for 1 hour)
Intended Use	Water Plumping
Working Pressure	PN 10

DIMENSIONS

Code	11.02.851
DN	20
D1 (thread)	Rp 3/4"
D2 (thread)	Rp 3/4"
L	56
H1	96 (closed) 104 (open)
AA1	30
AA2	30
AA3	17
Ø	44

Dimensions are in "milimeter"

MATERIALS

Body	Brass (CW617N) TS EN 12165
Nipel	Brass (CW617N) TS EN 12165
Pin	Brass (CW617N) TS EN 12165
Stem Bushing	Brass (CW617N) TS EN 12165
Handle	Metal / Plastic
O-Ring Gasket	NBR/EPDM

INSTALLATION and OPERATING INSTRUCTION

- 1- Make sure there is no damage on the product may accure during transport and shipping.
Before assembly unpack the product in order to preventfrom the side effects.
- 2- Clean all kinds of contaminants before assembly.
- 3- Make sure about the thread size to meet the installation thread size.
- 4- Keep the valve closed position during the installation and use proper tool.
- 5- **Use enough flax or plumping adhesive.**
- 6- Use the valve full open or full closed
- 7- Do not paint the product, do not expose to chemicals, do not open or colose with a tool and do not remove the handle.