

# Hilal Shower Mixer

# KAS®

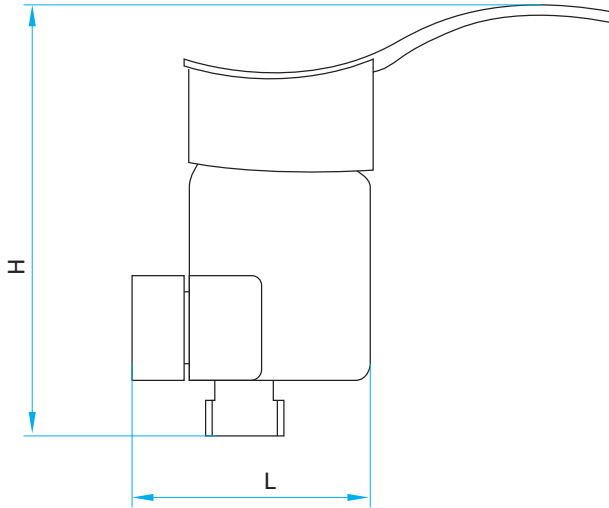


Standard	TS EN 817
Usage Temperature	-5 °C / +65 °C
Usage Area	Water Installation
Flow Pressure	Min. 1 bar / Max. 5 bar
Static (Installation) Pressure	10 bar

**Usage Area :** Suitable for hot and cold water usage in bathrooms.

## Specifications:

- Easy to use with ergonomic design.
- Aerator with descaling system
- 12 lt. water flow per minute
- Mixes the flowing water with air with a versatile aerator and creates a softer feeling.
- Provides usage without splashing with versatile aerator.
- Easy installation
- 100% leak test during production.
- Brightness and easy cleaning with KAS mixer polish.



Dimension	<b>PRODUCT CODE - 9231208</b>	
	H	L
	115 mm	65 mm



## Installation and Using Instructions:

- 1- Use the installation template during the installation of the piping to ensure that the bath mixers are easy to install on the wall.
- 2- Wrap the eccentrics using the appropriate seal.
- 3- After the installation of the eccentric, the cold-hot water axis distance should be 150 mm.
- 4- After the NBR gasket with filter is fitted into the sleeve nut, tighten the sleeve nuts of the mixer with an open-end spanner and complete the faucet installation.
- 5- Use a pressure regulator if the pressure of the system is above 6 bar.

PRODUCT SPECIFICATIONS	
Body	Brass (CW617N) TS EN 12165
Filtred Wired Seal	NBR
Arm	Zamak
Cartridge	Ceramic / ABS
Concealer Part (Mirror)	304 Stainless
Body Nipple	Brass (CW617N) TS EN 12165
Eccentric Nipple	Brass (CW617N) TS EN 12165
	304 Stainless
Access Nut	Brass (CW617N) TS EN 12165
Funnel	ABS

SURFACE SPECIFICATIONS (COVERING)	
Body	Nickel / Chrome ( 5-10 µm)
Arm	Nickel / Chrome ( 5-10 µm)
Concealer Part (Mirror)	Nickel / Chrome ( 5-10 µm)
Eccentric Nipple	Nickel / Chrome ( 5-10 µm)
Access Nut	Nickel / Chrome ( 5-10 µm)
Funnel	Nickel / Chrome ( 5-10 µm)
Body Nipple	Nickel / Chrome ( 5-10 µm)



\* In case of defect or failure of the product, you can return it with the invoice and guarantee certificate and get the new one free of charge from our factory.

\*\* Do not forget to get the **Warranty Certificate** and the invoice from your dealer with this product. Warranty Certificate is valid with the invoice.

**Please read the warranty rules.**