

# Butterfly Handle DN20-25 PN 40 Ball Valve

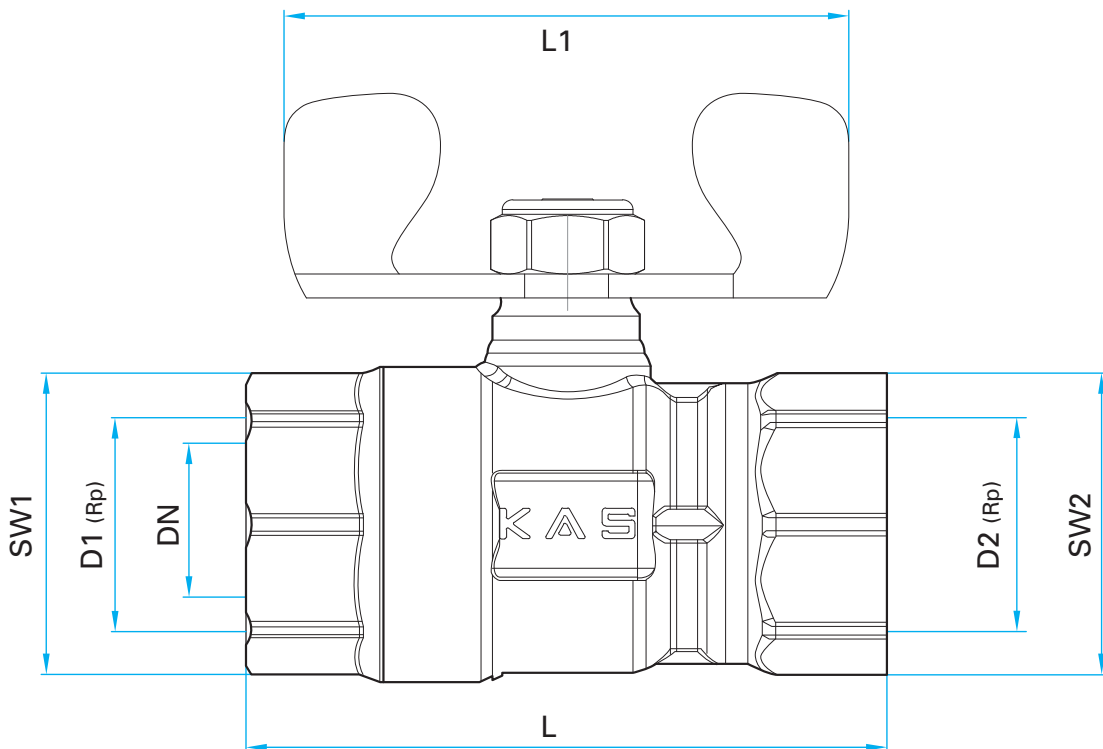
# KAS<sup>®</sup>

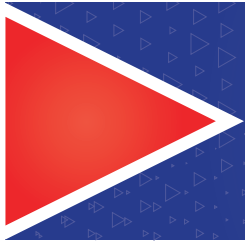


## TECHNICAL DATA SHEET

<b>Product Name</b>	Ball Valve
<b>Standard</b>	TS EN 13547
<b>Working Temperature</b>	-10°C/+100°C
<b>Working Pressure</b>	PN 40
<b>Intended Use</b>	Water Plumping

SIZE	PRODUCT CODE - 0804....	
	326	327
DN	20	25
D <sub>1</sub> (Rp)	3/4"	1"
D <sub>2</sub> (Rp)	3/4"	1"
SW <sub>1</sub>	31	39
SW <sub>2</sub>	31	39
L	62,9	76
L <sub>1</sub>	54	69





# Butterfly Handle DN20-25 PN 40 Ball Valve



## INSTALLATION and OPERATING INSTRUCTION

- 1- Make sure there is no damage on the product may occur during transport and shipping. Before assembly unpack the product in order to prevent from the side effects.
- 2- Clean all kinds of contaminants before assembly.
- 3- Make sure about the thread size to meet the installation thread size.
- 4- Keep the valve closed position during the installation and use proper tool.
- 5- **Use enough flax or plumping adhesive.**
- 6- Use the valve full open or full closed
- 7- Do not paint the product, do not expose to chemicals, do not open or close with a tool and do not remove the handle.

MATERIALS	
Body	Brass (CW617N) EN 12165
Ball Seal	PTFE (Teflon)
Mill	Brass (CW617N) EN 12165
Mill O-ring	NBR (O-Ring)
Ball	Brass (CW617N) EN 12165
Handle	Steel

SURFACES FINISH	
Body	Nickel (5-10 µm)
Mill	-
Ball	Nickel (5-10 µm) + Chrome (0.3 µm)
Handle	Zinc Plated + Plastic Cover