

# Gas Filter

# KAS®



## TECHNICAL DATA SHEET

<b>Product Name</b>	Gas Filter	
<b>Working Temperature</b>	-20°C/+60°C	
<b>Pressure Class</b>	MOP5	
<b>Intended Use</b>	Gas Application	

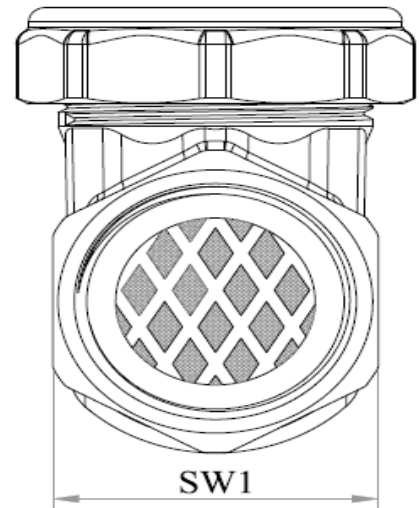
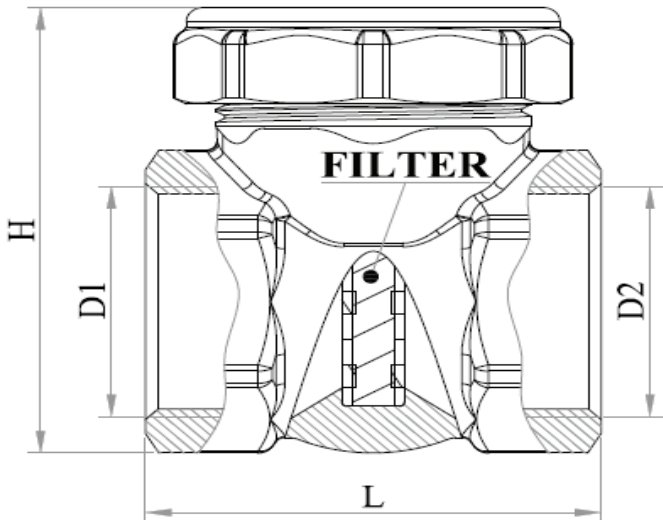
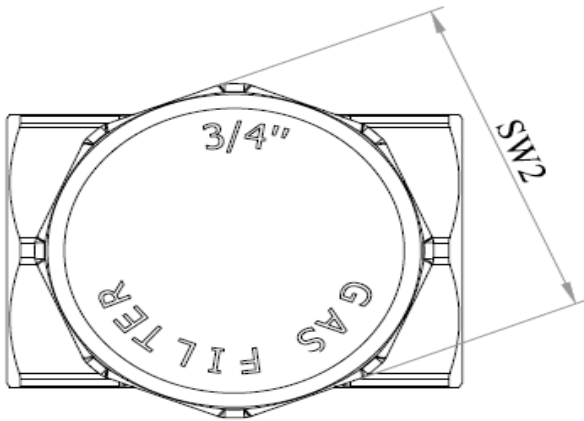
## DIMENSIONS

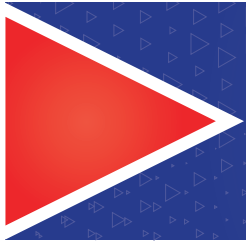
<b>Product Code</b>	80.32.820	80.32.821
<b>D1</b>	1/2"	3/4"
<b>D2</b>	1/2"	3/4"
<b>SW1</b>	31,2	31,2
<b>SW2</b>	45	45
<b>L</b>	55	55
<b>H</b>	43	43

Dimensions are in "milimeter"

## MATERIALSv

<b>Body</b>	Brass
<b>Cover</b>	Brass
<b>Filter</b>	Aluminum + Fiber
<b>Sealing</b>	Klinger





## **INSTALLATION and OPERATING INSTRUCTION**

- 1-** Do not unpack the Filter until installation to prevent falling of any unwanted substance that may affect the working of Filter.
- 2-** Take measures against any possible damage that may occur during transport and shipment.
- 3-** Clean away every unwanted substance in your system before installation.
- 4-** Be careful that the thread length of the part that will be installed to the Filter will not be too longer or too shorter than the thread length of the Filter.
- 5-** While installing, grab the Filter by the appropriate tool from the across flats where you'll install it.
- 6-** During installation do not use excessive adhesive or any unsuitable substance.
- 7-** Do not paint the Filter. Do not expose the Filter with abrasive chemicals.
- 8-** In case of any damage or disorder , Filter should be changed by authorities.
- 9-** Complying with the installation and usage instruction is compulsory. Otherwise, the product will be out of guarantee.
- 10-** Do not forget to get the document of guarantee. This document is valid only with the related bill.