

3/4" M - 1" M Nipple

KAS®



TECHNICAL DATA SHEET

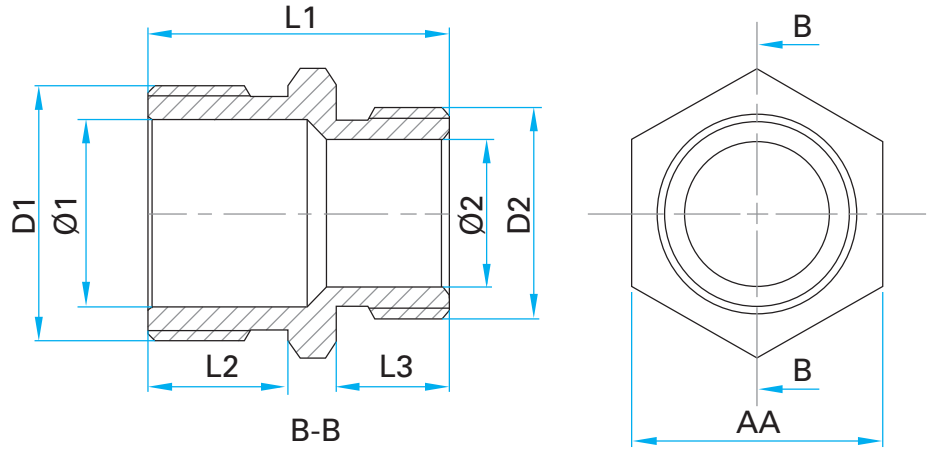
Product Name	3/4" M - 1" M Nipple
Intended Use	Installation Systems

MATERIAL

BRASS(CW617N)/(CW614N)

DIMENSIONS

Code	02.03.212
D1 (thread)	G 1"
D2 (thread)	G 3/4"
Ø	24
Ø	19
L1	39
L2	18,3
L3	14,6
AA	33



Dimensions are in "milimeter"

INSTALLATION INSTRUCTION

- 1- Make sure there is no damage on the product may occur during transport and shipping. Before assembly do not unpack the product in order to prevent from the external effects.
- 2- Clean all kinds of contaminants before assembly.
- 3- Make sure that the thread is appropriate with the thread of product.
- 4- Install the product with the appropriate tool from the hexagonal form.
- 5- **Use enough flax or plumping adhesive.**
- 6- Do not paint the product, do not expose the product with abrasive chemicals.