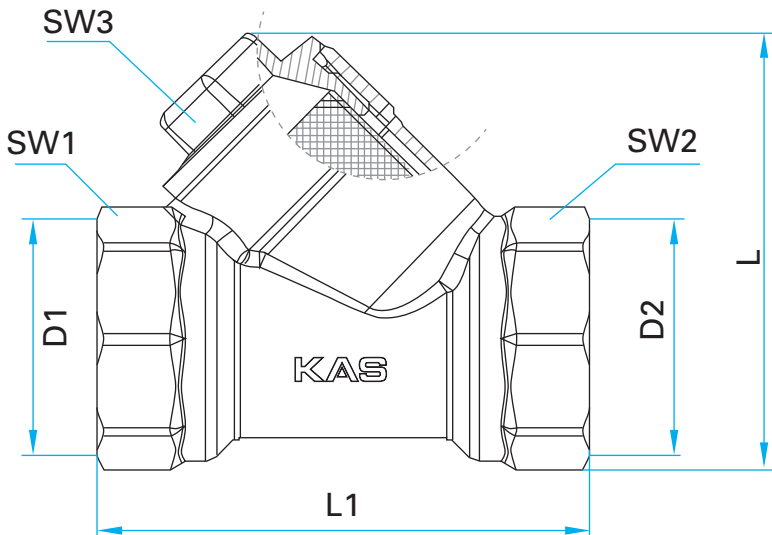


Filter (Y - Valve Strainer)

KAS®



Dimensions are in "milimeter"

TECHNICAL DATA SHEET

Product Name	Filter (Y - Valve Strainer)
Standard	TSEK
Working Temperature	-10°C/+100°C
Pressure Class	Water Plumping
Intended Use	PN 16

MATERIAL SPECT

Body	BRASS (CW617N) EN 12165
Cover	BRASS (CW617N) EN 12165
Cover Seal	NBR (O-RING)
Filter	304-400µm Mesh

SURFACE SPECTS (PLATING)

Body	NICKEL (5-10 µm) / if requested none
Cover	NICKEL (5-10 µm) / if requested none

PRODUCT CODE - 12.02...

DN	D1(Rp)	D2(Rp)	SW 1	SW2	SW3	L	L1
20	3/4"	3/4"	30	30	16	53	60

ASSEMBLY AND USAGE INSTRUCTIONS

- 1- Make sure there is no damage on the product may accure during transport and shipping. Before assembly unpack the product in order to preventfrom the side effects.
- 2- Clean all kinds of contaminants before assembly.
- 3- Make sure about the thread size to meet the installation thread size.
- 4- During the installation, use proper tool.
- 5- **Use enough flax or plumping adhesive.**
- 6- During the installation, check the arrow direction.
- 7- Do not paint the product , do not expose to chemicals