



## TECHNICAL DATA SHEET

<b>Product Name</b>	3/4" Water Meter Fitting
<b>Intended Use</b>	Installation Systems

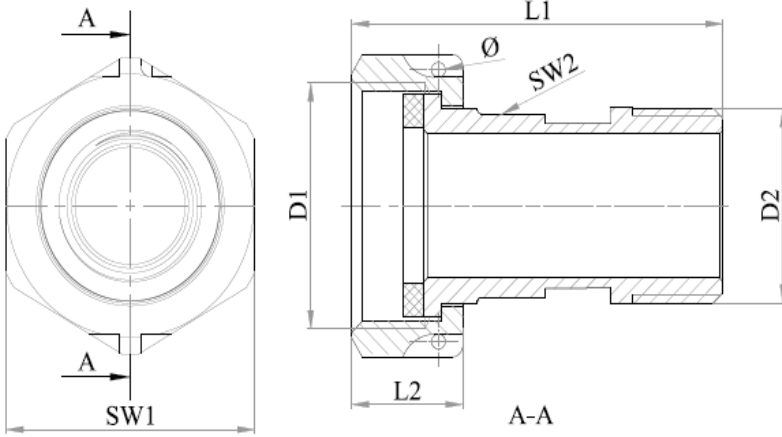
## DIMENSIONS

<b>Code</b>	80.22.193
<b>D1 (Thread)</b>	1"
<b>D2 (Thread)</b>	3/4"
<b>Ø</b>	2
<b>L1</b>	53,4
<b>L2</b>	16
<b>SW1</b>	36
<b>SW2</b>	22,3

Dimensions are in "milimeter"

## MATERIALS

<b>Nut</b>	BRASS(CW617N)/(CW614N)
<b>Nipple</b>	BRASS(CW617N)/(CW614N)
<b>Gasket</b>	Elastomer



## INSTALLATION and USAGE INSTRUCTION

- 1- Do not unpack the fitting until installation to prevent falling of any unwanted substance that may affect the working of fitting.
- 2- Take measures against any possible damage that may occur during transport and shipment.
- 3- Clean away every unwanted substance in your system before installation.
- 4- While installing, grab the fitting by the appropriate tool from the across flats where you'll install it.
- 5- During installation do not use excessive adhesive or any unsuitable substance.
- 6- Do not paint the fitting. Do not expose the fitting with abrasive chemicals.
- 7- In case of any damage or disorder, fitting should be changed by authorities.
- 8- Complying with the installation and usage instruction is compulsory. Otherwise, the product will be out of guarantee.
- 9- Do not forget to get the document of guarantee. This document is valid only with the related bill.