

# Water Ball Valve (M-F) with Butterfly Handle

# KAS<sup>®</sup>



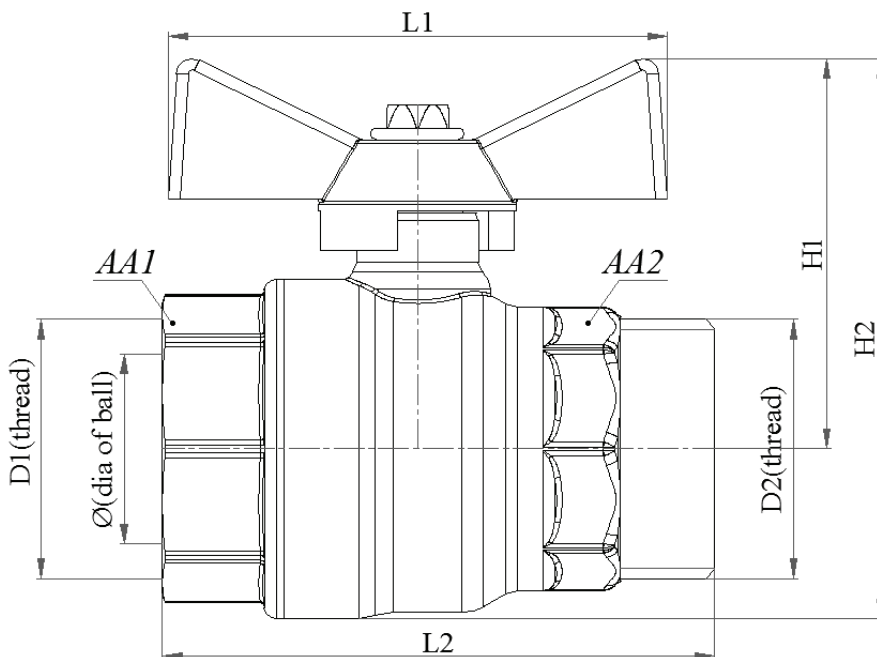
## TECHNICAL DATA SHEET

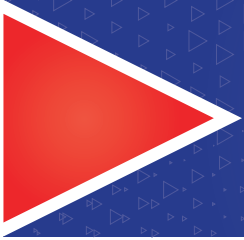
<b>Product Name</b>	Water Ball Valve (M-F) with Butterfly Handle
<b>Working Temperature</b>	-10°C to 100°C
<b>Working Pressure</b>	PN 40
<b>Intended Use</b>	Plumbing Systems

## DIMENSIONS

<b>Code</b>	08.03.532
<b>DN</b>	25
<b>D1</b>	1" (Female)
<b>D2</b>	1" (Male)
<b>Ø</b>	24
<b>AA1</b>	37
<b>AA2</b>	34
<b>L1</b>	64
<b>L2</b>	70
<b>H1</b>	50
<b>H2</b>	71

Dimensions are in "millimeter"





# Water Ball Valve (M-F) with Butterfly Handle

# KAS®

PART NAME	MATERIAL
Body	Brass (CW617N) / (CW614N)
Cover	Brass (CW617N) / (CW614N)
Ball	Brass (CW617N) / (CW614N)
Ball Seal	PTFE (Teflon)
Stem	Brass (CW617N) / (CW614N)
Stem Seal	NBR
Handle	Aluminum

SURFACES FINISH	
Body	Nickel
Cover	Nickel
Ball	Nickel + Chrome
Handle	Different Color Option

## INSTALLATION and OPERATING INSTRUCTION

- 1- Do not unpack the valve until installation to prevent falling of any unwanted substance that may affect the working of valve.
- 2- Take measures against any possible damage that may occur during transport and shipment.
- 3- Clean away every unwanted substance in your system before installation.
- 4- Valve should be off position while installing.
- 5- Be careful that the thread length of the part that will be installed to the valve will not be too longer or too shorter than the thread length of the valve.
- 6- While installing, grab the valve by the appropriate tool from the across flats where you'll install it.
- 7- During installations do not use excessive adhesive or any unsuitable substance.
- 8- Use the valve fully open or fully closed position.
- 9- Do not paint the valve. Do not expose the valve with abrasive chemicals.
- 10- Do not use any other tools for opening or closing the valve and do not remove the handle.
- 11- In case of any damage or disorder, valve should be changed by authorities.
- 12- Complying with the installation and usage instruction is compulsory. Otherwise, the product will be out of guarantee.
- 13- Do not forget to get the document of guarantee. This document is valid only with the related bill.