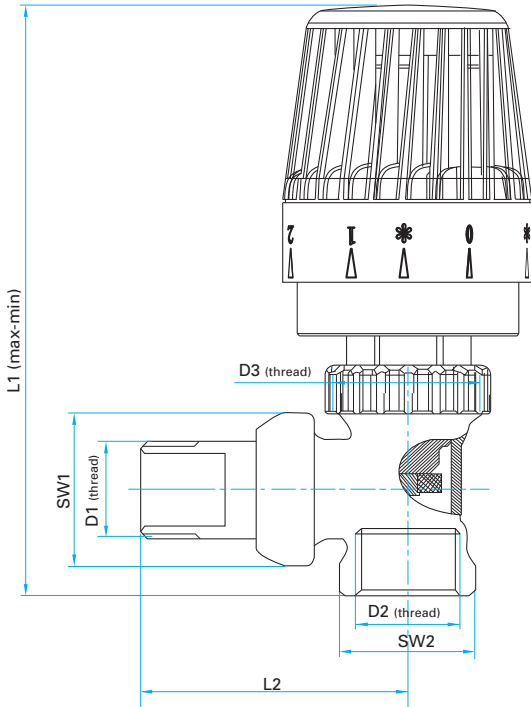


Angle Thermostatic Radiator Valve

KAS®



TECHNICAL DATA SHEET

Product Name	Angle Thermostatic Radiator Valve
Standard	TS EN 215
Working Temperature	120°C
Pressure Class	PN 10
Intended Use	Heating Systems
Set-Up Range of Head	+5°C - Max: +29°C

DIMENSIONS

Code	13.40.001
DN	15
D1 (thread)	Rp 1/2"
D2 (thread)	G 1/2"
D3 (thread)	M30 x 1,5
L1 (max-min)	119 - 125
L2	54,3
ø	9
SW1	30
SW2	25

Dimensions are in "milimeter"

TECHNICAL SPECIFICATIONS

Standart (Standard) : TS EN 15

Maks. Basınç (Max. Pressure): 10 Bar	Maks. Çalışma Sıcak. (Max. Working Temp.): 120 °C
Kullanma Aralığı (Usage Range): Min: +5 °C - Max 29 °C	Anma Debisi (Nominal Flow Rate): 255 lt/h (± %10)
Tepki Süresi (Response Time): 25 dk	Anma Debisi Histerisi (Nominal Flow Rate Hys.): 0,8 K
Su Sıcaklığı Etkisi (Water Temp. Effect): 0,9 K	Statik Basınç Etkisi (Static Pressure Effect): 0,9 K
Oturma Yüzeyi Etkisi (Seal Authority): 0,94 Kpa	Fark Basıncı Etkisi (Differential Press. Influ.): 0,9 K

Sembol	*	1	2	3	4	5
Derece	5 - 10	10 - 15	15 - 18	18 - 20	20 - 24	24 - 30

Angle Thermostatic Radiator Valve

KAS®

MATERIALS

Body	Brass (CW617N) / (CW614N)
Insert Group	Brass (CW617N) / (CW614N)
Nuts	Brass (CW617N) / (CW614N)
Tube	Brass (CW617N) / (CW614N)
Pex Connection	Brass (CW617N) / (CW614N)
Thermostatic Head	Plastic
Seals	NBR / EPDM

SURFACES FINISH

Body	Nickel - plated
Nuts	Nickel - plated
Tube	Nickel - plated

INSTALLATION and OPERATING INSTRUCTION

- 1- Make sure there is no damage on the product may occur during transport and shipping. Before assembly do not unpack the product in order to prevent from the external effects.
- 2- Clean all kinds of contaminants before assembly.
- 3- Make sure that the thread length to be connected to the valve is not too short or too long than the thread length of the valve.
- 4- Keep the valve in closed position during installation. Install the valve with the appropriate tool from the side where you'll mount it.
- 5- **Use enough flax or plumping adhesive.**
- 6- Do not paint the valve, do not expose the valve with abrasive chemicals,
- 7- Do not open or close with any other tool.
- 8- Pay attention to on header signs by taking into account heat requirement while use valve.
- 9- The boiler temperature must be higher than the temperature of the thermostat that is set; otherwise, if the circulation pump is switched on, the flow sound hear from valve.
- 10- Set cursor to Max. grade at regular intervals and tighten connection nut to fix the gap.
- 11- The cap should be set to Max. grade during the summer months.
- 12- The cap should be set to (*) this position during the winter months.
- 13- (0) does not indicate close position. Not bring to this position during the winter months .
- 14- Use filter in the installation to keep cleanly to apartment entrance
- 15- Do not hang anything on the cap.
- 16- The pressure balancing valves should be used in floor entrance to supply quiet working and prevent uneven flow of thermostatic radiator valve.
- 17- To supply quiet working, the maximum pressure changing must not exceed 30-35 kPa.