

# Water Ball Valve With PPR-Nipple Connection

# KAS®



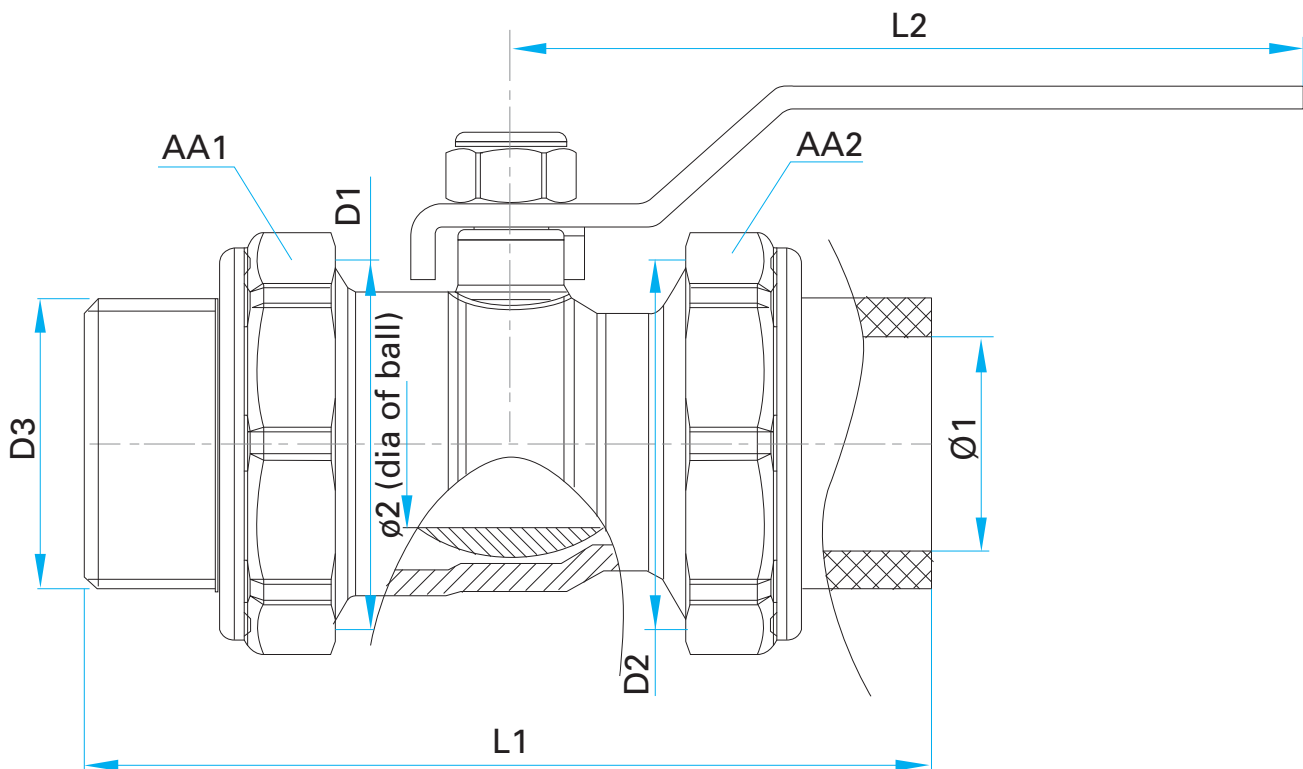
## TECHNICAL DATA SHEET

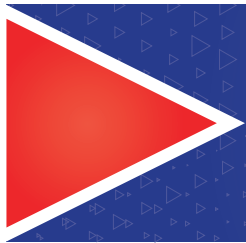
<b>Product Name</b>	Water Ball Valve With PPR-Nipple Connection
<b>Working Temperature</b>	-10°C/+100°C
<b>Pressure Class</b>	PN 25
<b>Intended Use</b>	Plumbing Systems

## DIMENSIONS

<b>Code</b>	08.08.731
<b>DN</b>	25
<b>D1 (Thread)</b>	1 1/4"
<b>D2 (Thread)</b>	1 1/4"
<b>D3 (Thread)</b>	1 (Male)
<b>AA1</b>	45
<b>AA2</b>	45
<b>L1</b>	95
<b>L2</b>	90
<b>Ø1</b>	Ø24,2
<b>Ø2 (dia of ball)</b>	Ø19

Dimensions are in "milimeter"





# Water Ball Valve With PPR Connection



## INSTALLATION and USAGE INSTRUCTION

- 1- Do not unpack the valve until installation to prevent falling of any unwanted substance that may affect the working of valve.
- 2- Take measures against any possible damage that may occur during transport and shipment.
- 3- Clean away every unwanted substance in your system before installation.
- 4- Valve should be off position while installing.
- 5- Be careful that the thread length of the part that will be installed to the valve will not be too longer or too shorter than the thread length of the valve.
- 6- While installing, grab the valve by the appropriate tool from the across flats where you'll install it.
- 7- During installation do not use excessive adhesive or any unsuitable substance.
- 8- Use the valve fully open or fully closed position.
- 9- Do not paint the valve. Do not expose the valve with abrasive chemicals.
- 10- Do not use any other tools for opening or closing the valve and do not remove the handle.
- 11- In case of any damage or disorder, valve should be changed by authorities.
- 12- Complying with the installation and usage instruction is compulsory. Otherwise, the product will be out of guarantee.
- 13- Do not forget to get the document of guarantee. This document is valid only with the related bill.

MATERIALS	
Body	Brass (CW617N) (CW614N)
Cover	Brass (CW617N) (CW614N)
Ball	Brass (CW617N) (CW614N)
Ball Seal	PTFE ( Teflon)
Union Nut	Brass (CW617N) (CW614N)
Nipple	Brass (CW617N) (CW614N)
Stem	Brass (CW617N) (CW614N)
Stem Seal	NBR
Handle	Steel
Pipe Connection	PPR

SURFACES FINISH	
Body	Nickel
Cover	Nickel
Ball	Nickel + Chrome
Handle	Plastic
Union Nut	Nickel
Nipple	Nickel

µm: Micrometer