

# Filtered Valve

# KAS®



## TECHNICAL DATA SHEET

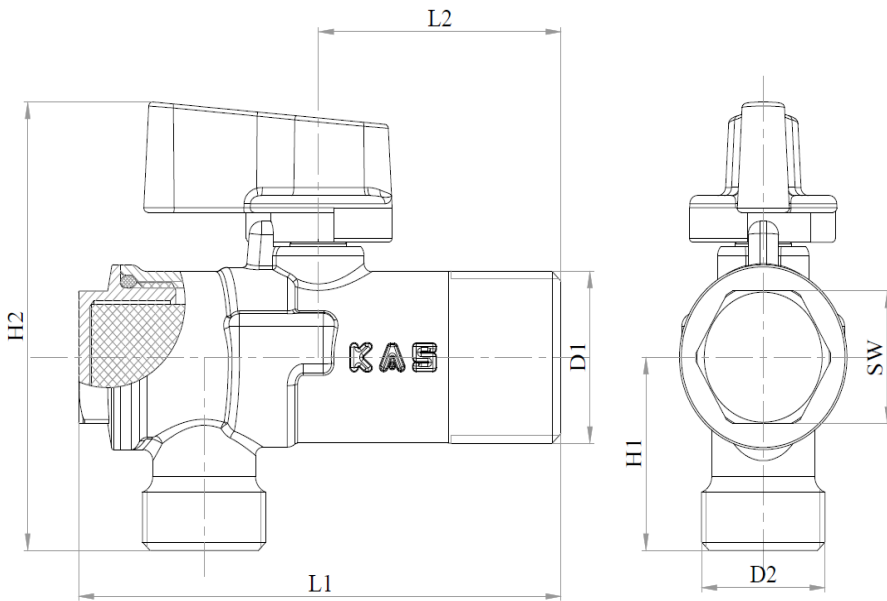
<b>Product Name</b>	Filtered Valve
<b>Working Temperature</b>	Max. 80°C
<b>Pressure Class</b>	PN 10
<b>Intended Use</b>	Water Installation

## MATERIAL SPECT

<b>Body</b>	BRASS(CW617N)/(CW614N)
<b>Cover</b>	BRASS(CW617N)/(CW614N)
<b>Ball</b>	BRASS(CW617N)/(CW614N)
<b>Spindle</b>	BRASS(CW617N)/(CW614N)
<b>Handle</b>	Plastic
<b>Seals</b>	NBR/EPDM

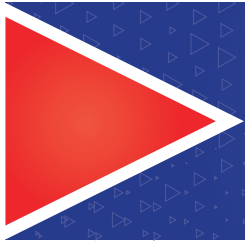
## SURFACES FINISH

<b>Body</b>	Ni Coated
<b>Cover</b>	Ni Coated
<b>Ball</b>	Ni Coated
<b>Handle</b>	Different Color Option



## DIMENSIONS

<b>Code</b>	<b>01.07.179</b>
<b>DN</b>	15
<b>D1 (thread)</b>	M1/2"
<b>D2 (thread)</b>	M3/8"
<b>L1 (max-min)</b>	63,4
<b>L2</b>	31,9
<b>H1</b>	23
<b>H2</b>	53,4
<b>SW</b>	16



## **INSTALLATION and OPERATING INSTRUCTION**

- 1-** Do not unpack the valve until installation to prevent falling of any unwanted substance that may affect the working of valve.
- 2-** Take measures against any possible damage that may occur during transport and shipment.
- 3-** Clean away every unwanted substance in your system before installation.
- 4-** Valve should be off position while installing.
- 5-** Be careful that the thread length of the part that will be installed to the valve will not be too longer or too shorter than the thread length of the valve.
- 6-** While installing, grab the valve by the appropriate tool from the across flats where you'll install it.
- 7-** During installation do not use excessive adhesive or any unsuitable substance.
- 8-** Do not paint the valve. Do not expose the valve with abrasive chemicals.
- 9-** Do not use any other tools for opening or closing the valve and do not remove the cap.
- 10-** In case of any damage or disorder, valve should be changed by authorities.
- 11-** Complying with the installation and usage instruction is compulsory. Otherwise, the product will be cut of guarantee.
- 12-** Do not forget to get the document of guarantee. This document is valid only with the related bill.