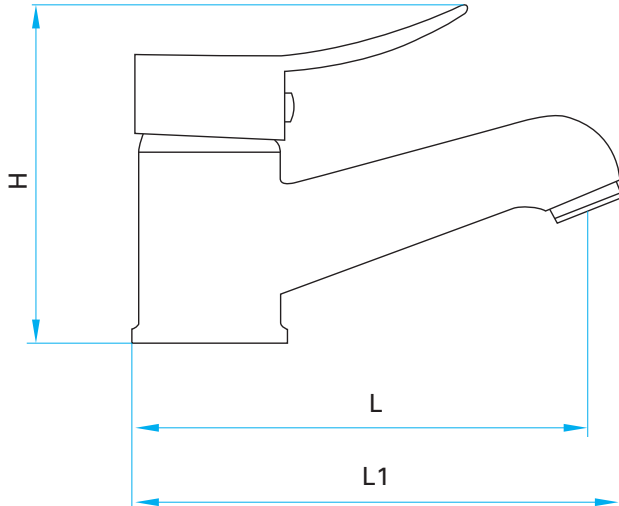


Kardelen Washbasin Mixer

KAS®



Standard	TS EN 817
Usage Temperature	-5 °C / +65 °C
Usage Area	Water Installation
Flow Pressure	Min. 1 bar / Max. 5 bar
Static (Installation) Pressure	10 bar

Usage area : Suitable for hot and cold water usage in kitchen and multi functional offices

Specifications:

- Easy to use with ergonomic design.
- Aerator with descaling system
- 12 lt. water flow per minute
- Mixes the flowing water with air with a versatile aerator and creates a softer feeling.
- Provides usage without splashing with versatile aerator.
- Easy installation
- 100% leak test during production.
- Brightness and easy cleaning with KAS mixer polish.

Dimension	PRODUCT CODE - 9231702		
	H	L	L1
	125 mm	145 mm	155 mm



Installation and Using Instructions:

- 1- Place the base O-ring under the mixer.
- 2- Flexes are screwed to the base of the mixer.
- 3- Screw the studs into the body.
- 4- Place the mixer on the sink.
- 5- Pass the flex hoses through the retaining plate.
- 6- Fix the mixer by tightening the retaining nuts.
- 7- Connect the flex hoses to the hot and cold taps.
- 8- Use a pressure regulator if the pressure of the system is above 6 bar.

PRODUCT SPECIFICATIONS	
Body	Brass (CW617N) TS EN 12165
Double Perforated Half Moon	Sheet
Open Arm	Zamak
Cartridge	Ceramic / ABS
Press Nut	PA6 GF30
Funnel	ABS
M8 Pivot Nut	Iron
M8 Stud	Iron
Aerator	Brass (CW617N) TS EN 12165

SURFACE SPECIFICATIONS (COVERING)	
Body	Nickel / Chrome (5-10 µm)
Aerator	Nickel / Chrome (5-10 µm)
Open Arm	Nickel / Chrome (5-10 µm)
Double Perforated Half Moon	Nickel / Chrome (5-10 µm)
Funnel	Nickel / Chrome (5-10 µm)
M8 Pivot Nut	Nickel / Chrome (5-10 µm)
M8 Stud	Nickel / Chrome (5-10 µm)



* In case of defect or failure of the product, you can return it with the invoice and guarantee certificate and get the new one free of charge from our factory.

** Do not forget to get the **Warranty Certificate** and the invoice from your dealer with this product. Warranty Certificate is valid with the invoice.

Please read the warranty rules.