

# 1/2" F - 3/4" M Reduction Nipple

# KAS®



## TECHNICAL DATA SHEET

**Product Name**

1/2" F - 3/4" M  
Reduction Nipple

**Intended Use**

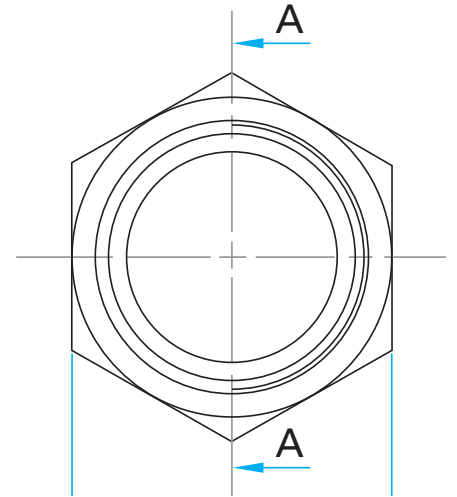
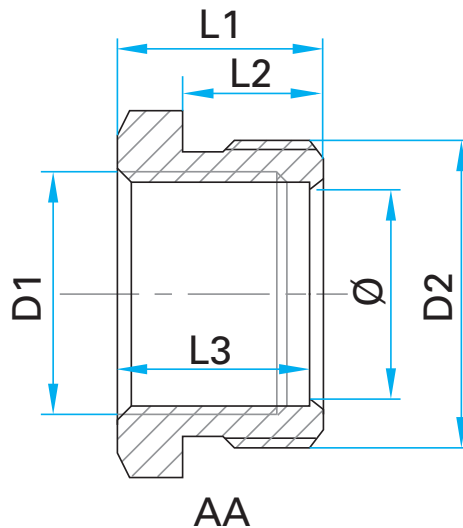
Installation Systems

## MATERIAL

BRASS(CW617N)/(CW614N)

## DIMENSIONS

Code	02.01.196
D1 (thread)	Rp 1/2"
D2 (thread)	G 3/4"
Ø	18
L1	17,5
L2	12
L3	16,3
SW	27



Dimensions are in "milimeter"

## INSTALLATION INSTRUCTION

- 1- Make sure there is no damage on the product may occur during transport and shipping. Before assembly do not unpack the product in order to prevent from the external effects.
- 2- Clean all kinds of contaminants before assembly.
- 3- Make sure that the thread is appropriate with the thread of product.
- 4- Install the product with the appropriate tool from the hexagonal form.
- 5- **Use enough flax or plumping adhesive.**
- 6- Do not paint the product, do not expose the product with abrasive chemicals.