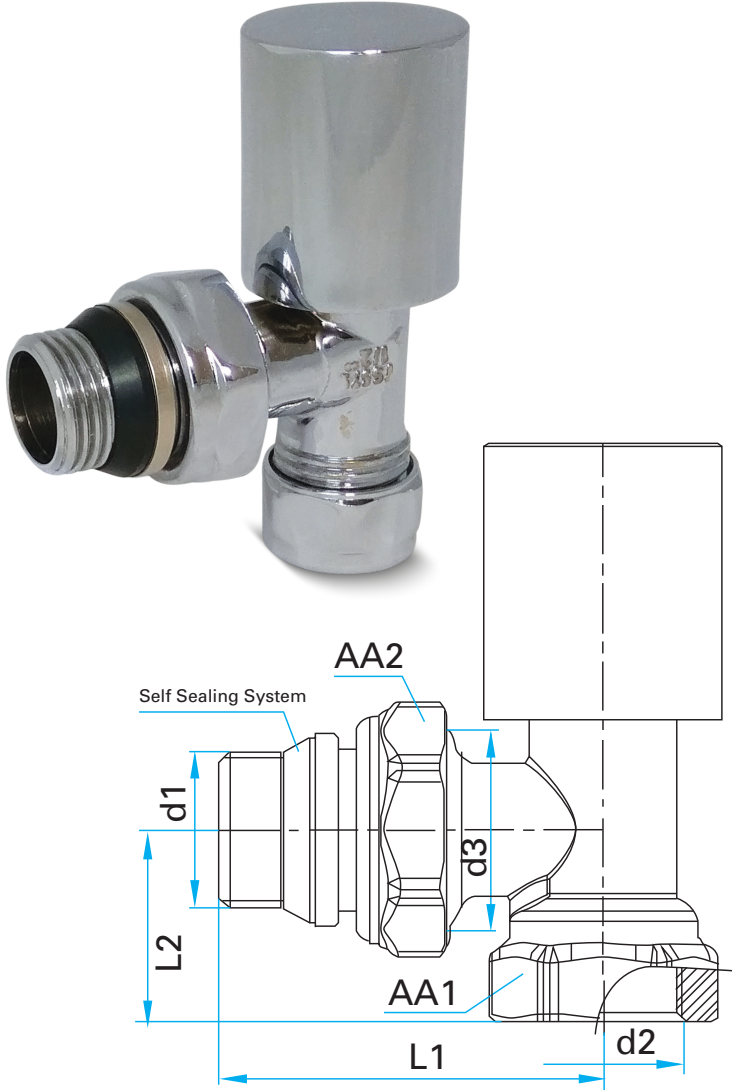


# Angle Radiator Valve For Towel Warmer Sealed Type with Metal Handle

# KAS®



## TECHNICAL DATA SHEET

<b>Product Name</b>	Angle Radiator Valve For Towel Warmer Sealed Type with Metal Handle
<b>Standard</b>	TS 579
<b>Working Temperature</b>	Max. 120°C
<b>Pressure Class</b>	Max. 10 bar
<b>Intended Use</b>	Heating Systems

## MATERIAL SPECT

<b>Body</b>	BRASS(CW617N)/(CW614N)
<b>Spindle</b>	BRASS(CW617N)/(CW614N)
<b>Nuts</b>	BRASS(CW617N)/(CW614N)
<b>Tube</b>	BRASS(CW617N)/(CW614N)
<b>Handle</b>	Zinc-Al
<b>Seals</b>	NBR/EPDM

## SURFACES FINISH

<b>Body</b>	Nickel-Plated
<b>Nut</b>	Nickel-Plated
<b>Tube</b>	Nickel-Plated
<b>Handle</b>	Chrome-Plated

## DIMENSIONS

Code	DN	d1	d2	d3	L1	L2	AA1	AA2
04.12.303	15	1/2"	1/2"	3/4"	50	25	27	30

Dimensions are in "millimeter"

## INSTALLATION INSTRUCTION

- 1- Do not unpack the valve until installation to prevent falling of any unwanted substance that may affect the working of valve.
- 2- Take measures against any possible damage that may occur during transport and shipment.
- 3- Clean away every unwanted substance in your system before installation.
- 4- Valve should be off position while installing.
- 5- Be careful that the thread length of the part that will be installed to the valve will not be too longer or too shorter than the thread length of the valve.
- 6- While installing, grab the valve by the appropriate tool from the across flats where you'll install it.
- 7- During installation do not use excessive adhesive or any unsuitable substance.
- 8- Do not paint the valve. Do not expose the valve with abrasive chemicals.
- 9- Do not use any other tools for opening or closing the valve and do not remove the handle.
- 10- In case of any damage or disorder, valve should be changed by authorities.
- 11- Complying with the installation and usage instruction is compulsory. Otherwise, the product will be out of guarantee.
- 12- Do not forget to get the document of guarantee. This document is valid only with the related bill.