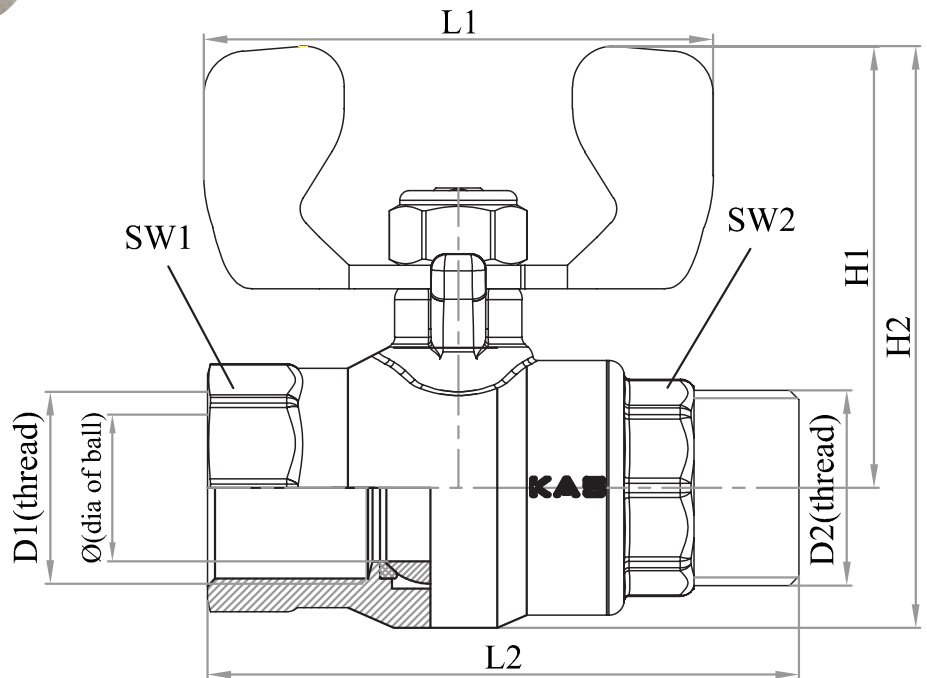


# Male Ball Gas Valve with T - Handle



## TECHNICAL DATA SHEET

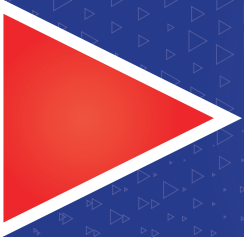
<b>Product Name</b>	Male Ball Gas Valve with T-handle
<b>Standart</b>	EN 331
<b>Temperature Class</b>	-20°C to 60°C
<b>Identification</b>	System 1
<b>Pressure Class</b>	Mop 5
<b>High Temperature Pressure Class</b>	C 0,5
<b>Type of Valve</b>	Female x Male
<b>Handle</b>	T-handle



## DIMENSIONS

CODE	DN	L1	L2	H1	H2	SW1	SW2	D1(inch)	D2(inch)	Ø (Dia of Ball)
08.03.830	15 (1/2")	56,5	61,7	46	59,5	24	22	1/2" (Female)	1/2" (Male)	14
08.03.831	20 (3/4")	56,5	68,9	49	66,5	29	27	3/4" (Female)	3/4" (Male)	19
08.03.632	25 (1")	69	81,7	59	81,5	38	34	1" (Female)	1" (Male)	24

Dimensions are in "milimeter"



# Male Ball Gas Valve with T - Handle

# KAS®

## INSTALLATION and USAGE INSTRUCTION

- 1- Do not unpack the valve until installation to prevent falling of any unwanted substance that may affect the working of valve.
- 2- Take measures against any possible damage that may occur during transport and shipment.
- 3- Clean away every unwanted substance in your system before installation.
- 4- Valve should be off position while installing.
- 5- Be careful that the thread length of the part that will be installed to the valve will not be too longer or too shorter than the thread length of the valve.
- 6- While installing, grab the valve by the appropriate tool from the across flats where you'll install it.
- 7- During installation do not use excessive adhesive or any unsuitable substance.
- 8- Use the valve fully open or fully closed position.
- 9- Do not paint the valve. Do not expose the valve with abrasive chemicals.
- 10- Do not use any other tools for opening or closing the valve and do not remove the handle.
- 11- In case of any damage or disorder, valve should be changed by authorities.
- 12- Complying with the installation and usage instruction is compulsory. Otherwise, the product will be out of guarantee.
- 13- Do not forget to get the document of guarantee. This document is valid only with the related bill.

### MATERIALS

Handle Nut	Steel
T-handle	Steel
Cover	Brass
Ball	Brass
Spindle Sealing	PTFE
Spindle O-ring	NBR
Spindle	Brass
Ball Sealing	PTFE
Body	Brass

### SURFACES FINISH

T-handle	Yellow PVC
Cover	Nickel
Ball	Nickel + Chrome
Body	Nickel

µm: Micrometer