

Water Ball Valve (F-F)

KAS®



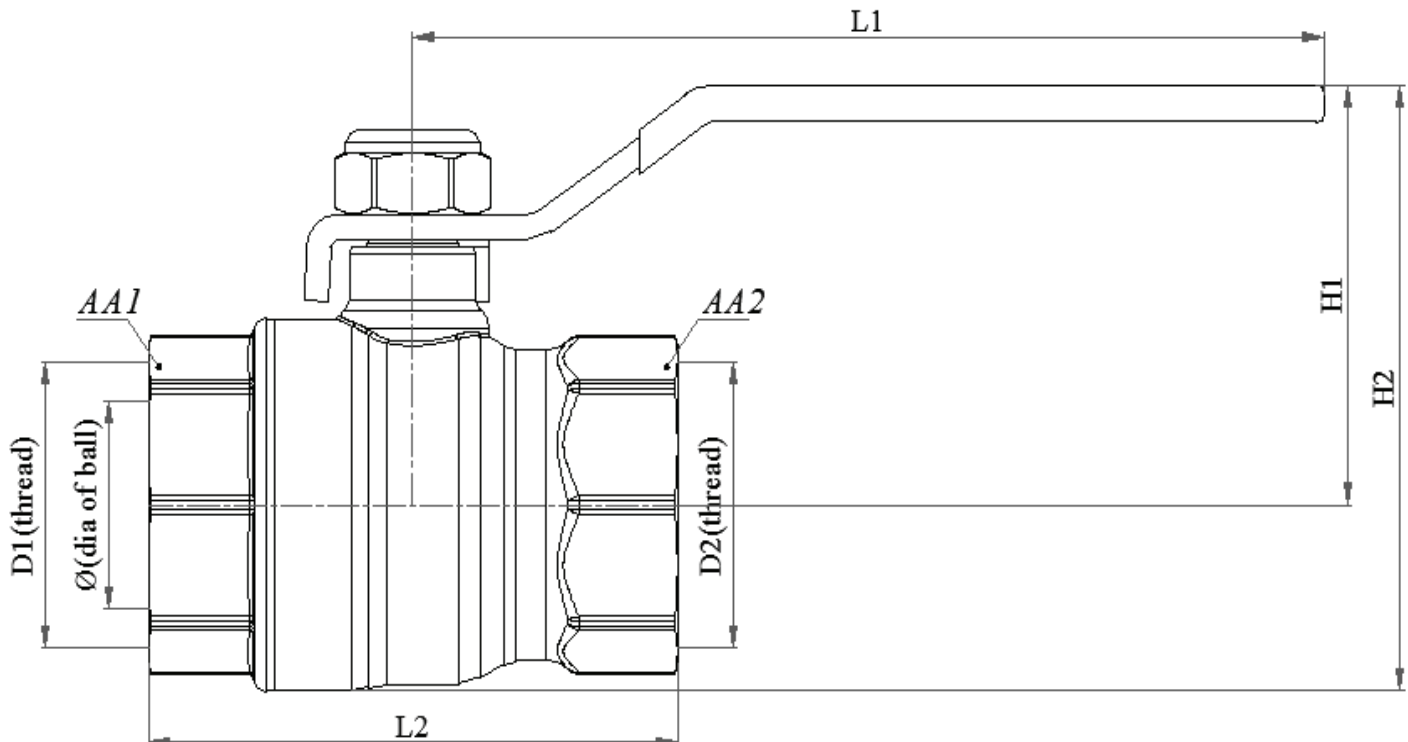
TECHNICAL DATA SHEET

Product Name	Water Ball Valve (F-F)
Working Temperature	-10°C to 100°C
Pressure Class	PN 40
Intended Use	Plumbing System

DIMENSIONS

Code	08.09.529
DN	10
D1 (thread)	3/8" Female
D2 (thread)	3/8" Female
AA1 (mm)	20
AA2 (mm)	20
H1 (mm)	35 ± 1,5
H2 (mm)	47 ± 1,5
L1 (mm)	80 ± 1,5
L2 (mm)	42 ± 1,5
Ø (dia of ball)	Ø 9

Dimensions are in "milimeter"

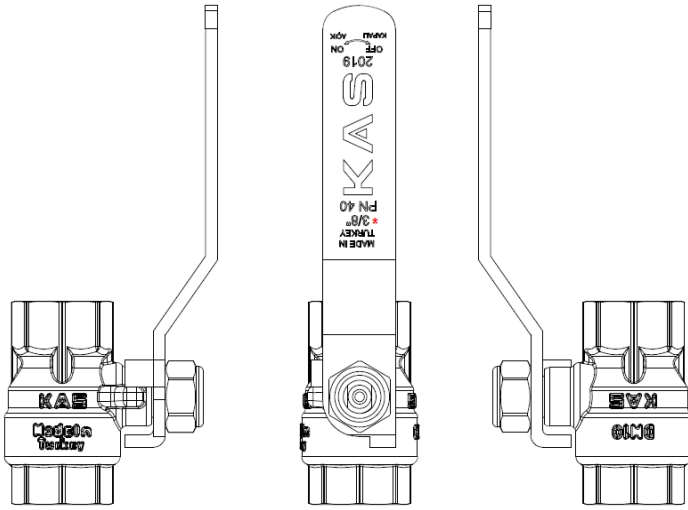


Water Ball Valve (F-F)

KAS®

PRODUCT

CODE	DN	L1(mm)	L2(mm)	H1(mm)	H2(mm)	AA1(mm)	AA2(mm)	D1(thread)	D2(thread)	Ø (dia of ball)	Pcs. Net Kgs
08.09.528	10	80 ± 1,5	40 ± 0,5	35 ± 1,5	47 ± 1,5	20	20	1/4" F	1/4" F	Ø 9	0,126
08.09.529	10	80 ± 1,5	42 ± 0,5	35 ± 1,5	47 ± 1,5	20	20	3/8" F	3/8" F	Ø 9	0,115



* 3/8" or 1/4" acc. to thread size

PART NAME	MATERIAL
Body	Brass (CW617N) / (CW61774N)
Cover	Brass (CW617N) / (CW61774N)
Ball	Brass (CW617N) / (CW61774N)
Ball Sealing	PTFE (Teflon)
Stem	Brass (CW617N) / (CW61774N)
Stem Seal	NBR
Handle	Steel

SURFACES FINISH	
Body	Nickel
Cover	Nickel
Ball	Nickel + Chrome
Handle	Plastic (Different color options)

INSTALLATION and OPERATING INSTRUCTION

- 1- Do not unpack the the valve until installation to prevent falling of any unwanted substance that may affect the working of valve.
- 2- Take measures against any possible damage thay may occur during transport and shipment.
- 3- Clean away every unwanted substance in your system before installation.
- 4- Valve should be off position while installing.
- 5- Be careful that the thread length of the part that will be installed to the valve will not be too longer or too shorter than the thread length of the valve.
- 6- While installing, grab the valve by the appropriate tool from the across flats where you'll install it.
- 7- During installation do not use excessive adhesive or any unsuitable substance.
- 8- Use the valve fully open or fully closed position.
- 9- Do not paint the valve. Do not expose the valve with abrasive chemicals.
- 10- Do not use any other tools for opening or closing the valve and do not remove the handle.
- 11- In case of any damage or disorder , valve should be changed by authorities.
- 12- Complying with the installation and usage instruction is compulsory. Otherwise, the product will be out of guarantee.
- 13- Do not forget to get the document of guarantee. This document is valid only with the related bill.

www.kas.com.tr